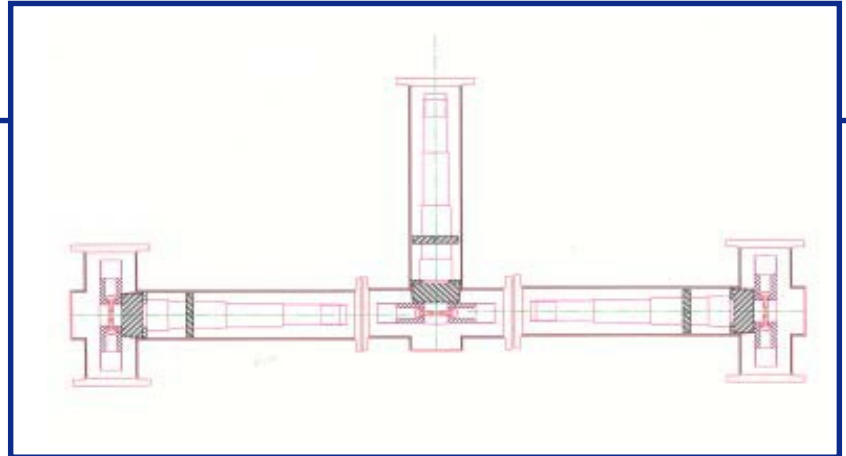


# POWER COMBINERS

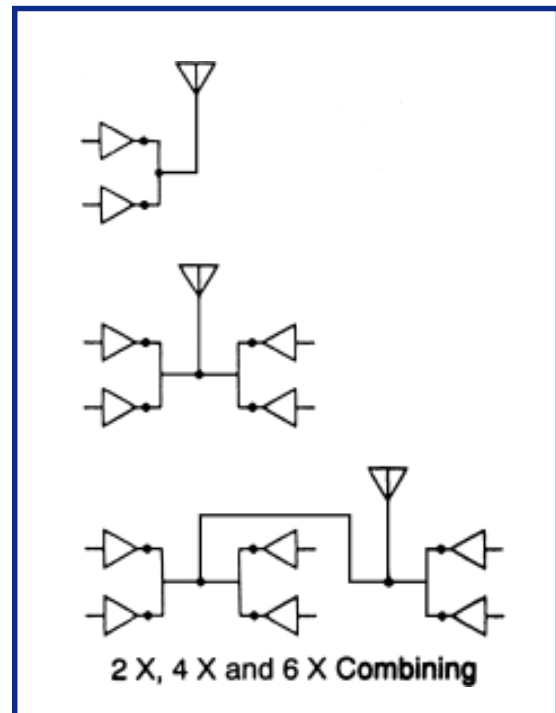
- Installs Inside Cabinet
- Combines Solid State Power Amplifiers
- Broadband
- Low VSWR



MCI's Power Combiners are used to combine as many as six power amplifiers into a single output. The combining action is accomplished by the use of precision transformer sections. The number of inputs dictates each transformer design.

The use of single or multiple transformers is in direct relationship to the bandwidth. UHF power combiners are designed to cover the full UHF band. Two models cover the Hi-V band and the Lo-V is designed for each individual channel.

These combiners are ideal when used to combine multiple amplifier modules into a single output as is the case in solid state transmitters.





Micro Communications, Inc.  
 Microwave A MICROWAVE TECHNIQUES COMPANY

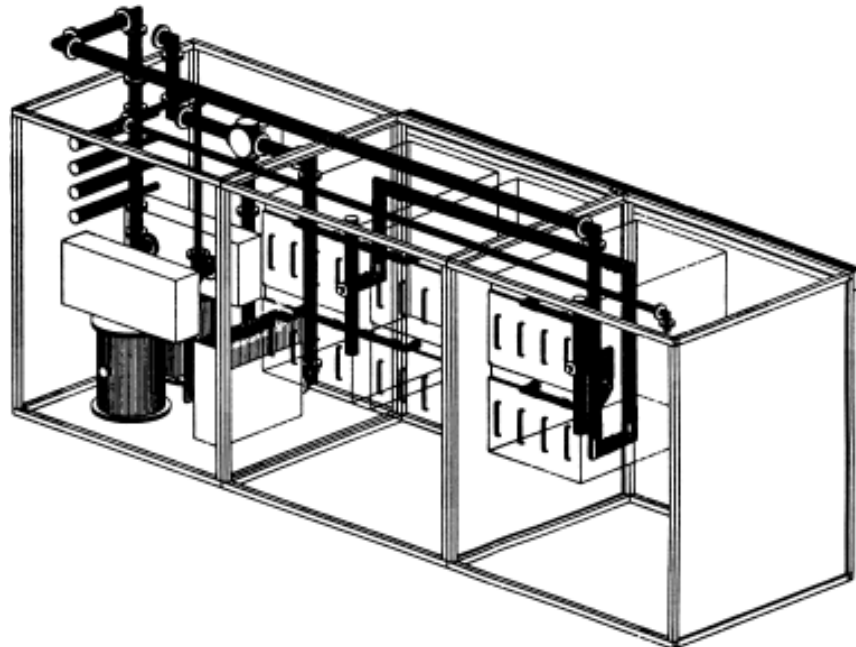
SPECIFICATIONS	
VSWR:	1.10 dB (over band)
Insertion Loss:	0.10 dB (over band)

	LO- V	HI-V	UHF
<b>FREQUENCY (MHz)</b>	47-88	174-230	470-860
<b>CHANNEL RANGE (USA)</b>	2-6	7-13	14-69
<b>MODEL</b>	55122	55322	55422
<b>POWER (2 x 5 kW)</b>	10 kW	10 kW	10 kW
<b>INPUT CONNECTOR EIA</b>	1 5/8	1 5/8	1 5/8
<b>OUTPUT CONNECTOR EIA</b>	1 5/8	1 5/8	3 1/8
<b>MODEL</b>	55132	55332	55432
<b>POWER (2 x 5 kW)</b>	20 kW	20 kW	20 kW
<b>INPUT CONNECTOR EIA</b>	1 5/8	1 5/8	1 5/8
<b>OUTPUT CONNECTOR EIA</b>	3 1/8	3 1/8	3 1/8
<b>MODEL</b>	55142	55342	55442
<b>POWER (2 x 5 kW)</b>	30 kW	30 kW	30 kW
<b>INPUT CONNECTOR EIA</b>	1 5/8	1 5/8	1 5/8
<b>OUTPUT CONNECTOR EIA</b>	3 1/8	3 1/8	4 1/16

**All specifications are subject to change without notice.**

Notes:

1. Combiners for other power levels available, consult factory.
2. Unflanged and flanged connections available.



Micro Communications, Inc.  
 Microwave A MICROWAVE TECHNIQUES COMPANY

Microwave Techniques, LLC | 28 Sanford Drive, Gorham, ME 04038

Email: [sales@microwavetechniques.com](mailto:sales@microwavetechniques.com) | Phone: 1-207-854-1700