



Micro Communications, Inc.

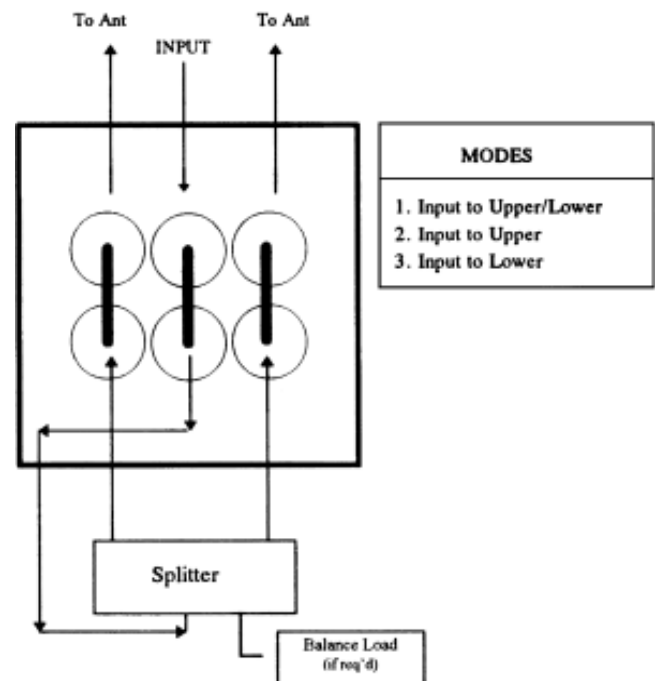
Microwave A MICROWAVE TECHNIQUES COMPANY

PATCH PANEL POWER SPLITTER FOR DUAL FEED ANTENNA SYSTEMS

- Low VSWR
- Low Insertion Loss
- Broadband
- Standard EIA Sizes
- High Power



MCI's Patch Panel Power Splitter integrates a combination of high quality components to produce a manual patching system used in dual feed antenna systems. The input to the power splitter may be a single channel or multiple channels. The patch panel and power splitter assembly is lab optimized for best possible performance. The patch panel utilizes low-loss U-links that allow quick changeover for the different modes of operation. Interlocks are provided in each U-link position for use by the customer. A unitized frame houses all the components as a stand-alone product. Input and outputs are at the top of the frame. The system can be supplied with either a $0^\circ/0^\circ$ power splitter or it can use a 3dB hybrid for a $0^\circ/90^\circ$ split. In the case of the 3dB hybrid a reject load will be required for the balance port. Power rating of the load is based on input powers and can be supplied as an option.



PATCH PANEL POWER SPLITTER FOR DUAL FEED ANTENNA SYSTEMS



Micro Communications, Inc.

Microwave A MICROWAVE TECHNIQUES COMPANY

	Lo VHF	Hi VHF	FM	UHF
FREQUENCY (MHz)	47-88	174-230	88-108	470-490
MODEL	56725	56735	56745	56755
MAX POWER (combined out)	200kW (peak Vis)	160kW (peak Vis)	160kW (peak Vis)	80kW (peak Vis)
SIZE	in 52x36x78 (cm) (132x92x198)	in 52x36x78 (cm) (132x92x198)	in 52x36x78 (cm) (132x92x198)	in 52x36x66 (cm) (132x92x168)
WEIGHT	lbs 540 (kg) (245)	lbs 510 (kg) (230)	lbs 520 (kg) (236)	lbs 490 (kg) (222)
CONNECTORS	6 1/8	6 1/8	6 1/8	6 1/8
MODEL	56724	56734	56744	56754
MAX POWER (combined out)	120kW (peak Vis)	90kW (peak Vis)	75kW (peak Vis)	45kW (peak Vis)
SIZE	in 48x36x78 (cm) (122x92x198)	in 48x36x66 (cm) (122x92x168)	in 48x36x66 (cm) (122x92x168)	in 48x36x66 (cm) (122x92x168)
WEIGHT	lbs 330 (kg) (150)	lbs 310 (kg) (141)	lbs 320 (kg) (145)	lbs 300 (kg) (136)
CONNECTORS	4 1/16	4 1/16	4 1/16	4 1/16
MODEL	56723	56733	56734	56753
MAX POWER (combined out)	80kW (peak Vis)	50kW (peak Vis)	40kW (peak Vis)	25kW (peak Vis)
SIZE	in 32x36x78 (cm) (82x92x198)	in 32x36x66 (cm) (82x92x168)	in 32x36x66 (cm) (82x92x168)	in 32x36x66 (cm) (82x92x168)
WEIGHT	lbs 300 (kg) (136)	lbs 270 (kg) (123)	lbs 290 (kg) (132)	lbs 250 (kg) (114)
CONNECTORS	3 1/8	3 1/8	3 1/8	3 1/8
MODEL	56722	56732	56742	56752
MAX POWER (combined out)	25kW (peak Vis)	14kW (peak Vis)	14kW (peak Vis)	7kW (peak Vis)
SIZE	in 30x30x78 (cm) (76x76x198)	in 30x30x66 (cm) (76x76x168)	in 30x30x66 (cm) (76x76x168)	in 30x30x66 (cm) (76x76x168)
WEIGHT	lbs 75 (kg) (34)	lbs 70 (kg) (32)	lbs 72 (kg) (33)	lbs 68 (kg) (31)
CONNECTORS	1 5/8	1 5/8	1 5/8	1 5/8

All specifications are subject to change without notice.

Options available:

- Reject Load
- Wattmeter
- Couplers
- Fine Matchers
- 7/8 design



Micro Communications, Inc.

Microwave A MICROWAVE TECHNIQUES COMPANY

Microwave Techniques, LLC | 28 Sanford Drive, Gorham, ME 04038

Email: sales@microwavetechniques.com | Phone: 1-207-854-1700