



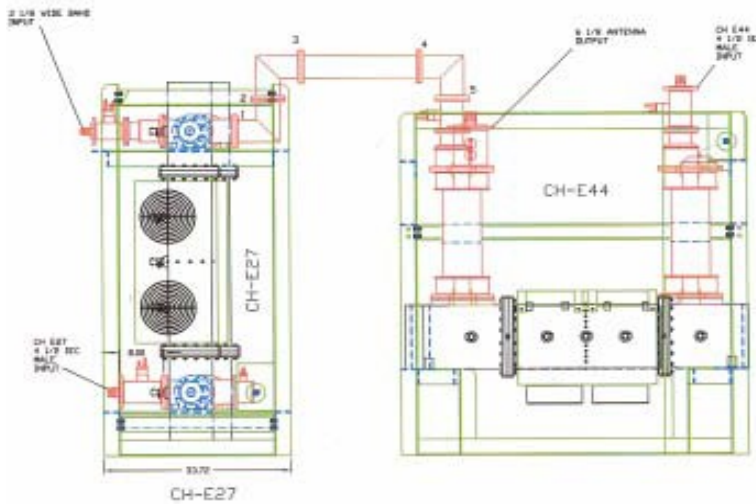
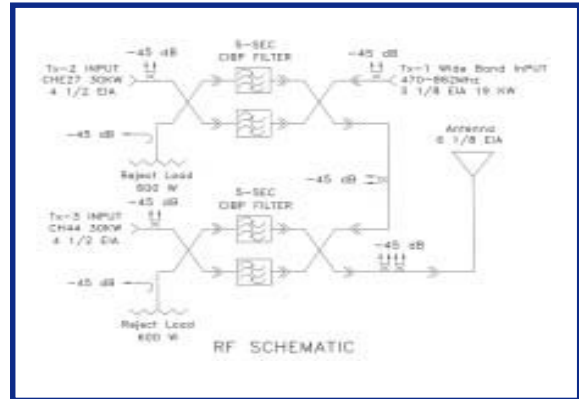
Micro Communications, Inc.

SERIES 41600A

Microwave A MICROWAVE TECHNIQUES COMPANY

INTEGRATED RF SYSTEM

- Complete System
- Unitized Floor Frame
- Compatible with DTV or DVB Mask requirements
- Low Loss



MCI's Integrated RF systems have been designed to simplify installation, optimize RF performance and efficiently utilize space.

This channel combiner system comes complete with DTV/DVB mask compliant filters and directional couplers. An optional switch could be added for antenna to station test load switching.

MCI has many variations of RF systems and will tailor design to your need, please contact us today.



Micro Communications, Inc.

Microwave A MICROWAVE TECHNIQUES COMPANY

Microwave Techniques, LLC | 28 Sanford Drive, Gorham, ME 04038

Email: sales@microwavetechniques.com | Phone: 1-207-854-1700