



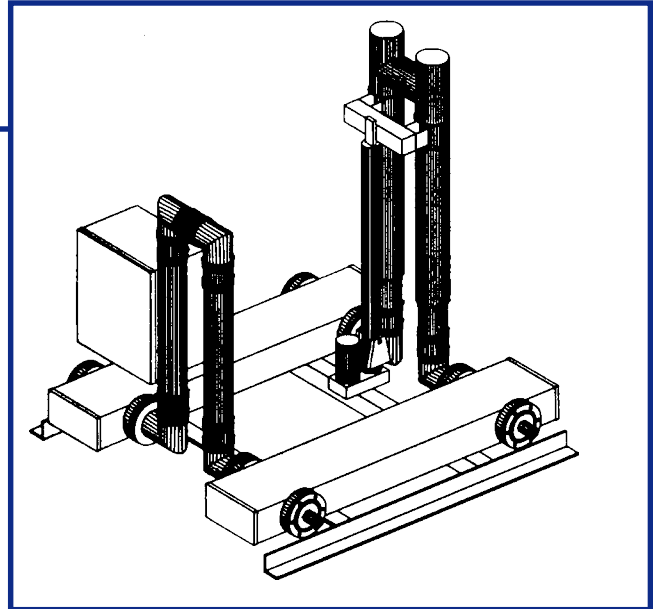
Micro Communications, Inc.

Microwave A MICROWAVE TECHNIQUES COMPANY

SERIES 56500

FM SWITCHLESS COMBINERS

- No Loss of Air Time
- Switches Under Power
- High Isolation
- FM Applications to 125kW
- Microprocessor Control
- Active Main/Standby



MCI's FM Switchless Combiner is designed to combine and/or switch two transmitter inputs to one output or either transmitter to either output. The switching is done under full power without interruption of programming.

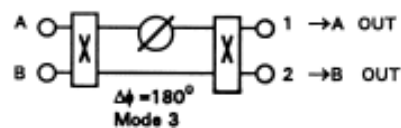
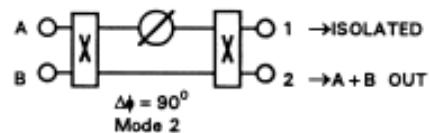
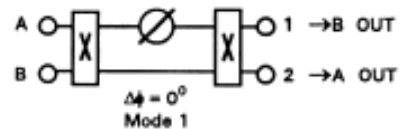
MCI now extends their line of high power Switchless combiners to the FM range. The new FM Switchless combiner insures that maximum output power is available at the antenna at all times. Switching between modes is done by the simple push of a button. Contacting and non-contacting designs are available. Contacting phase shifters, using sliding finder stock, is the more economical of the two designs.

The mode chart shows the changes in power to either output port as the phase shifter is moved through its positions. The unit's positions are factory pre-set. A

microprocessor controller with momentary push-button user contacts controls the single motor drive and allows for remote switching.

MODE CHART

MODE	INPUT	$\Delta \phi$	OUTPUT
1	A or B	0°	A \rightarrow 2, B \rightarrow 1
2	A + B	90°	A+B \rightarrow 2, Iso \rightarrow 1
3	A or B	180°	A \rightarrow 1, B \rightarrow 2





Micro Communications, Inc.

Microwave A MICROWAVE TECHNIQUES COMPANY

SERIES 56500
FM SWITCHLESS COMBINER

SPECIFICATIONS	
VSWR:	< 1.10
Insertion Loss:	< 0.10 dB
Isolation:	> 40 dB

	FM
FREQUENCY (MHz)	88-108
MODEL	56535
Power (Combined Output)	100kW
SIZE in	46x80x80
(mm)	(1170x2030x2040)
WEIGHT lbs	375
(kg)	(170)
CONNECTORS EIA	6 1/8, 6 1/8
MODEL	56534
Power (Combined Output)	60kW
SIZE in	46x72x76
(mm)	(1170x1830x1930)
WEIGHT lbs	300
(kg)	(136)
CONNECTORS EIA	4 1/16, 6 1/8
MODEL	56533
Power (Combined Output)	40kW
SIZE in	46x64x76
(mm)	(1170x1625x1930)
WEIGHT lbs	270
(kg)	(122)
CONNECTORS EIA	3 1/8, 3 1/8
MODEL	56532
Power (Combined Output)	20kW
SIZE in	46x60x76
(mm)	(1170x1500x1930)
WEIGHT lbs	230
(kg)	(104)
CONNECTORS EIA	1 5/8, 3 1/8

All specifications are subject to change without notice.



Micro Communications, Inc.

Microwave A MICROWAVE TECHNIQUES COMPANY

Microwave Techniques, LLC | 28 Sanford Drive, Gorham, ME 04038

Email: sales@microwavetechniques.com | Phone: 1-207-854-1700