



Micro Communications, Inc.

Microwave A MICROWAVE TECHNIQUES COMPANY

FM Digital IBOC Injector 6, 7, 8, 9 and 10db

- HD RADIO READY
- BROADBAND (88-108MHZ)
- 3-1/8 EIA IN AND OUT
OTHER SIZES AVAILABLE
- TAILORED COUPLING VALUES
AVAILABLE



3-1/8 Injector	51754-FM-10	51754-FM-9	51754-FM-8	51754-FM-7
Model Numbers	51754-FM-10	51754-FM-9	51754-FM-8	51754-FM-7
Input/output (Analog+Digital)	3-1/8 EIA	3-1/8 EIA	3-1/8 EIA	3-1/8 EIA
Digital Input and Load port	1-5/8 EIA	1-5/8 EIA	1-5/8 EIA	1-5/8 EIA
Coupling Values	10 db	9 db	8 db	7 db

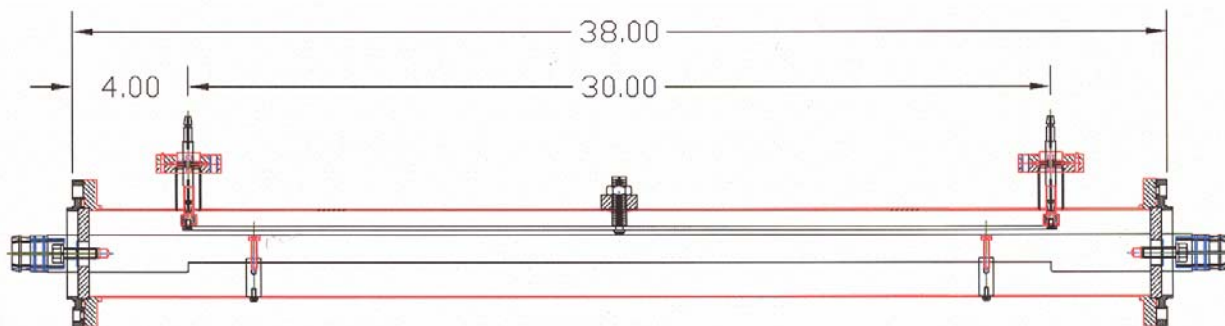
Electrical

Power Rating: 40KW **

Isolation: > 35 dB

VSWR: 1.08:1

** Total combined analog and digital power



Microwave Techniques, LLC | 28 Sanford Drive, Gorham, ME 04038
Email: sales@microwavetechniques.com | Phone: 1-207-854-1700